



www.narwhal.es  
e-mail: int.sales@narwhal.es

Apartado 1916  
36201-Vigo (Spain)  
Tel.: 34 986 339414  
Fax: 34 986 339527

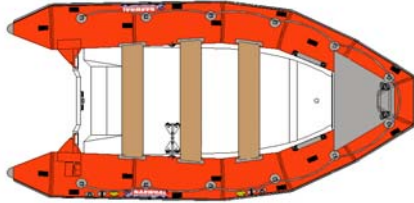



# PRICE LIST

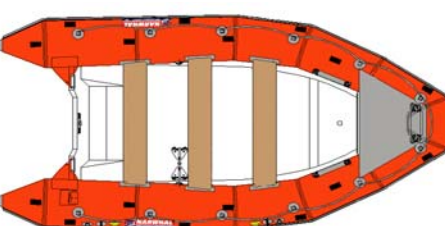



## UNSINKABLE RESCUE BOATS

### 2011

## RANGE "SV" Certified CE-S.O.L.A.S.

### UNSINKABLE RESCUE BOATS

		RETAIL PRICE
<b>SV-420</b>  Beam 2.07 m. Length 4.20 m.	 6  200 kg.  25 CV minimum authorized 40 CV maximum authorized	<b>SV-420 OPEN</b> 5.190,00 €
		(*)SOLAS/CE EQUIPMENT: 2.135,00 €
<b>INCLUDED:</b> Bailer, Boarding ladder, boat cover, boat hook, bow release device, compass, Fire-extinguisher, First aid kit, floating anchor, Four-legged lifting sling, knife, life saving quoits, line for hauling raft (50m), position light w/2 x 6v battery, radar reflector, righting line, sponges, thermal protective aids torch and spares and whistle.		<b>SPECIAL PRICE FOR PACK</b> <b>SV-420 + SOLAS EQUIPMENT</b> 7.185,00 €

		RETAIL PRICE
<b>SV-480</b>  Beam 2.10 m. Length 4.80 m.	 6  250 kg.  40 CV minimum authorized 75 CV maximum authorized	<b>SV-480 OPEN</b> 6.360,00 €
		(*)SOLAS/CE EQUIPMENT: 2.200,00 €
<b>INCLUDED:</b> Bailer, Boarding ladder, boat cover, boat hook, bow release device, compass, Fire-extinguisher, First aid kit, floating anchor, Four-legged lifting sling, knife, life saving quoits, line for hauling raft (50m), position light w/2 x 6v battery, radar reflector, righting line, sponges, thermal protective aids torch and spares and whistle.		<b>SPECIAL PRICE FOR PACK</b> <b>SV-480 + SOLAS CE EQUIPMENT</b> 8.390,00 €

\*(SOLAS EQUIPMENT MUST BE COMPLETED WITH A 12 V/45Ah/360A BATTERY)  
 VAT AND TRANSPORT NOT INCLUDED  
 THIS PRICE LIST CANCELS AND REPLACES FORMER ONES  
 THIS PRICE LIST CAN BE MODIFIED DURING THE YEAR